

Tube Float Mode

Tube Float Mode allows the operator to limit the amount of coins stored in the tubes between the low and high tube sensors. A QuantumPro changer can be pre-programmed to one of two Tube Float Modes:

1. **NORMAL MODE:** Accepted coins go to the cashbox when the level of coins in the tubes reach the tube float level.
NOTE: Your changer will be programmed to Normal Mode unless otherwise indicated on your model specification sheet.
2. **FLOAT PAY-DOWN MODE:** Accepted coins continue to fill the coin tubes up to the high tube sensor after the float level is reached. This mode allows the operator to dispense coins down to the preset float level for any tubes having an overage (see "Operating Float Pay-Down Mode").

Setting the Tube Float Levels

NORMAL AND FLOAT PAY-DOWN MODE

Using the acceptor's four inventory buttons, the float level of all coin tubes can be set to any level above the low coin tube sensors by following these steps:

1. Load the four coin tubes through the acceptor (see Step 10 of "Installing the Changer") to the float level you want the coin changer to maintain.
2. Press and hold the two outside inventory buttons (A & D) on the acceptor until the acceptor's LED flashes with a 90% ON and 10% OFF cycle.
3. Immediately press the two inside inventory buttons (B & C) on the acceptor to store the levels. The LED will flash a 10% ON and 90% OFF cycle to indicate the float levels are set.

TURNING OFF THE TUBE FLOAT LEVELS

To turn off the Float Mode, repeat steps 2-3. Once Float Mode is OFF, the LED will remain ON constantly and all coin tubes will fill to the high tube sensor.

OPERATING FLOAT PAY-DOWN MODE

The purpose of Tube Float Pay-Down Mode is to allow the operator to return the tube levels to a controlled level every time a visit is made to the machine.

With the Tube Float Mode ON, pressing and releasing buttons A & B will enter the Pay-Down Mode which automatically dispenses coins down to the preset tube float level from any coin tube having an overage. After the pay-down of tubes, Hand Load Mode is automatically entered to allow low tubes to be replenished through the acceptor. When the tube float levels are reached, the coins will be rejected. The changer will automatically return to operating mode after 45 seconds of no activity or if any acceptor inventory button is pressed and released.



QuantumPro 700 Series

Models: **MDB, Single-Price, L**

Installation Instructions

Coin Acceptors, Inc.
300 Hunter Avenue
St. Louis, MO 63124-2013
Phone: (314) 725-0100
FAX: (314) 725-7198

Power Requirements

MDB Model 34V DC
Single-Price Model 120V AC @60 Hz
L Model 24V DC

NOTE: All models have MDB capability.

For Your Records

A label indicating the coin changer model number and serial number is on the side of the coin changer. Refer to the model and serial number whenever you call upon your Coinco Service Center for information or service. The first four digits of the serial number indicate when the unit was built and is the beginning of the warranty.

The first two digits indicate the week of manufacture; the third and fourth digits indicate the year of manufacture. For example, serial number 260307053 would indicate that the unit was manufactured in the 26th week of 2003.

The first three letters of the model number indicate the country code while the fourth letter indicates the model of changer ("G" for MDB, "L" for Logic and "S" for Single-Price). The first digit of the model number (7) indicates a 700 series, and the last two digits represent the changer's payout configuration.

An Operation and Service Manual is available for more detailed information. Manuals can be ordered through your local Coinco representative.

After Unpacking

After unpacking the unit, inspect it for any possible shipping damage. If the unit is damaged, notify the shipping company immediately. Only the consignee (person receiving the unit) can file a claim against the carrier for shipping damage. We recommend that you keep the original carton and packing materials to reuse if you need to transport or ship your changer in the future. If the coin changer is being stored or used as a spare, always keep it in its shipping carton when not in use. This will keep the unit clean and provide the best protection.

Installing the Changer

1. Remove power from vendor.
2. Remove the acceptor from the changer by pressing down on the acceptor latch and rotating the top of the acceptor forward, away from changer. Unplug the ribbon cable from changer. Remove the acceptor by freeing the lower acceptor studs from the changer housing. Place the acceptor in a clean area (see Figures 1 and 2).
3. With the acceptor removed, set the key holes in the back of the changer housing over the mounting screws in the vendor. Tighten the screws.
4. Replace the acceptor into the changer by inserting the bottom acceptor studs into the changer housing guides. Plug the acceptor ribbon cable into the changer.
5. Plug the changer into the vendor socket.
6. Connect the DEX/UCS ground wire (black) to a common ground in the vending machine. (Single-Price Only)

7. Set the vend price and options on the changer. Refer to "Setting The Vend Price" and "Option Switch Setting."
8. Press the top of the acceptor into the changer housing until the acceptor latches and locks in place.
9. (Optional) Set the coin tube float levels. Refer to "Tube Float Mode."
10. Load the four coin tubes.

MANUAL FILL — Tilting the coin tube loading door open, load the four coin tubes. Make sure all coins lie flat and that each tube is filled at least to the 20% mark. Payout at least two coins from each tube to set the tube counters using inventory buttons A, B, C or D for the corresponding tube.

MANUAL FILL WITH AUDIT — (For Single-Price and L coin changers only.) When the tube float mode is OFF, pressing and releasing acceptor buttons C and D will enter the Hand Load Mode and the acceptor LED will flash an equal pattern of 50% ON and 50% OFF. When the acceptor is in the Hand Load Mode, inserted coins are routed to the proper coin tubes and the internal coin counters are updated without establishing credit. When the high sensor level is reached, coins will be directed to the cashbox. The changer will automatically return to Operating Mode after 45 seconds of no activity or if any acceptor inventory button is pressed and released.

11. Make sure the tube cover and acceptor studs are securely installed.
12. Test the coin changer with a variety of coins to ensure proper operation.

Setting the Vend Price

MDB AND LOGIC

Vend prices for MDB and Logic changers are set through the Vending Machine Controller. See the vending machine manual for details.

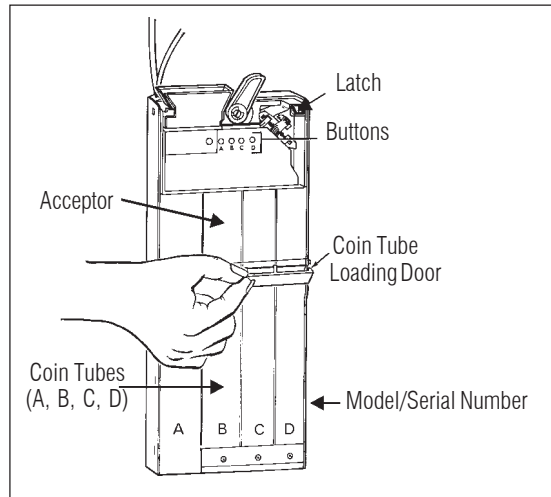


Figure 1

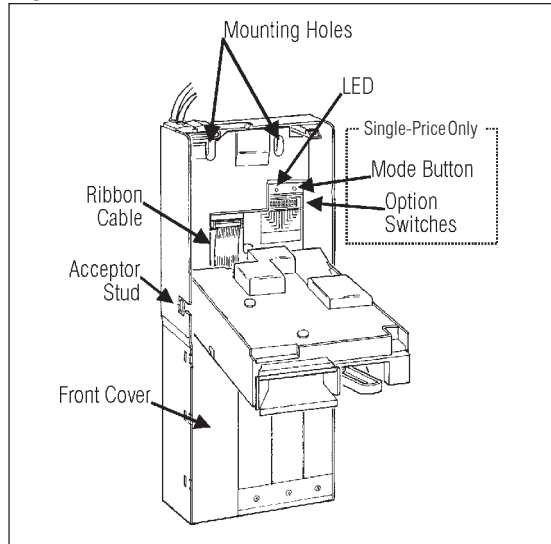


Figure 2

Switch 1	1 x Lowest Value Coin Accepted
Switch 2	2 x Lowest Value Coin Accepted
Switch 3	4 x Lowest Value Coin Accepted
Switch 4	8 x Lowest Value Coin Accepted
Switch 5	16 x Lowest Value Coin Accepted
Switch 6	32 x Lowest Value Coin Accepted
Switch 7	64 x Lowest Value Coin Accepted
Switch 8	128 x Lowest Value Coin Accepted

Figure 3

Setting the Vend Price

SINGLE-PRICE CHANGERS

Located behind the acceptor are 12 switches. The first eight are used to set the vend price for Single-Price changers. The last four switches are used for selecting options (see "Option Switch Setting").

The vend price can be set in single increments up to 255 times the lowest denomination coin being accepted by the changer. For example, if the lowest denomination coin accepted is 5, the lowest price setting would be 5 and the highest would be 255 x 5 or 1275.

NOTE: In most configurations, the lowest denomination coin accepted equals the lowest denomination coin paid out. When this is not true, in order to ensure proper change to the customer, make sure to set the vend price in increments of the lowest denomination coin paid out, and not the lowest denomination coin accepted.

SINGLE-PRICE CHANGER

- 1) To set the vend price, add the value of the rocker switches that are switched ON (see Figures 2 and 3).
EXAMPLE: In a changer where the lowest denomination coin accepted is 5 and price switches one, four and five are ON, the vend price would be:
 $(1 \times 5) + (8 \times 5) + (16 \times 5) = 5 + 40 + 80 = 125$.
- 2) Set Option Switches A, C and D to the desired configuration (see "Option Switch Setting").
- 3) After setting the vend price and the option switches, **PRESS AND RELEASE THE MODE BUTTON TO STORE THE NEW SETTING** (see Figure 2). The LED and the "Use Correct Change" light will then flash, indicating that the price and options selected were recorded.

NOTE: A vend price must be set to an amount greater than zero before the changer will accept coins in the single price mode.

Option Switch Setting

SINGLE-PRICE CHANGERS ONLY

The following switches are used to select these options:

SWITCH A (SW9)

Controls whether the escrow feature of the changer is enabled or disabled.

- ON Escrow disabled.
- OFF Escrow enabled.

SWITCH B (SW10)

Not used

SWITCH C (SW11)

(Single Price Mode Only)

Controls the vend holding feature of the changer.

- ON Vend signal is held until a selection is made.
- OFF Vend signal is pulsed.

SWITCH D (SW12)

Controls when the changer enters the "Use Correct Change" condition.

- ON Uses the sum of the highest vend price plus the value of the highest denomination coin accepted for the "Use Correct Change" indicator.
- OFF Uses the factory setting for the "Use Correct Change" indicator.