



ROYAL VISION VENDER

Next Generation



Premium Black Styling

Blue Splash Styling



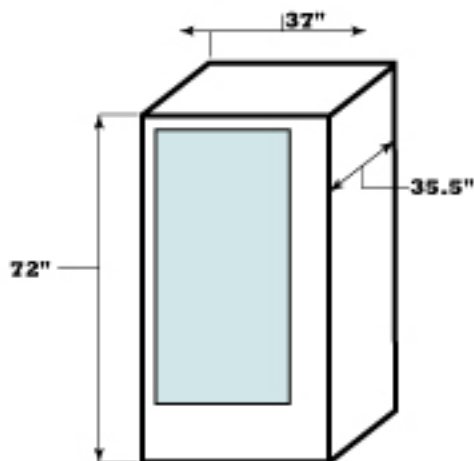
Quality ▪ Innovation ▪ Service



A Revolutionary Glass Front Design

- Precision Delivery System for upright product delivery
Delivers product without free fall, thus eliminating product foaming
- Mechanical Simplification for Enhanced Reliability / Serviceability
- No Solenoids, Wiring or Switches In/On Product Shelves
- 5 Individual "pull out" Shelves
- Accommodate 40 SKU's
- First In, First Out (FIFO) dispensing
- **Standard Foot Print** (35.5" x 37" x 72") for easy vender placement
- Able to be "Stacked" In Inventory
- Electronic Refrigeration
- Delivery Optic Sensor For Vend Validation
- 40 Character 2 Line Display for Enhanced Consumer interaction
- Triple Pane Tempered Glass
- Vandal Resistant Door
- Superior Customer Entertainment
- Energy Star Compliant
- Extensive Package Flexibility with no Adjustments, Shims or Kits Required

Maximize your Profits with the Vision Vender



RVV - Next Generation

RVV Model	500
------------------	------------

Shelves	5
----------------	----------

Selections	40
-------------------	-----------

Capacities	total	per selection	Weight	760 lbs (345 kg)
250 ml. Can	400	10	Width	37" (94 cm)
12 oz. Can	320	8	Depth	35.5" (90 cm)
20 oz Bottle	280	7	Height	72" (182 cm)

*Capacities may vary, due to package variation

www.royalvenders.com

Bardane Industrial Park
426 Industrial Boulevard
Kearneysville, WV 25430

P: 800.321.8637
F: 304.725.4016

